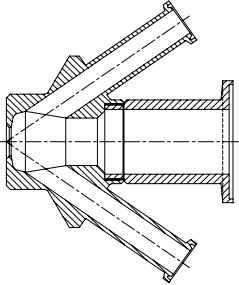
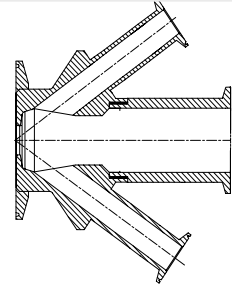


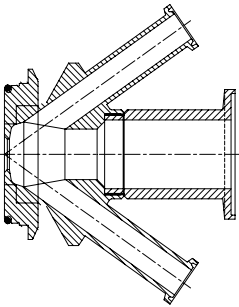
Valve body W 15 Type T
Item no.: 860001



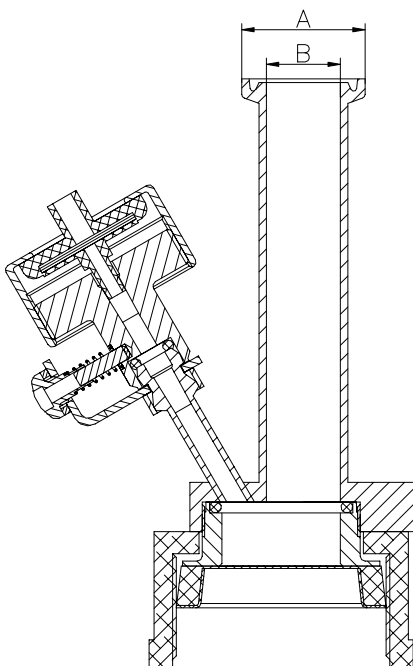
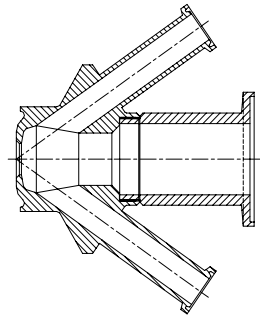
Valve body W 15 type C 3"
Item no.: 860003



Valve body W 15 Varivent ø68
Item no.: 860009



Valve body W 15 type P
Item no.: 860011



Where to use :	Sampling bottle and mini Tri-Clamp connection	
How to use:	Manually	
Use for:	Aseptic sampling bottle	
Filter:	Sterile (included)	
Material:		
Steel Parts:	AISI 316L(1.4404)	
O-rings:	Silicone	
Gasket:	PTFE and Silicone	
Key measurements		
Drawing part A:	25 mm.	0.98 In.
Drawing part B:	15 mm.	0.59 In.
Net weight:	0.4 kg./pc	0.88 lb
Temp. range:	1 ⁰ C - 130 ⁰ C	34°F - 266°F
Inlet pressure range:	0 – 6 bar(g)	0 – 87 psi(g)
Bottle pressure range:	0-1,2 bar(g)	0-18 psi(g)