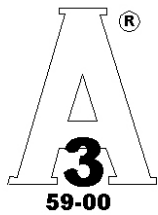
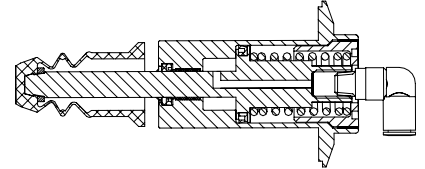
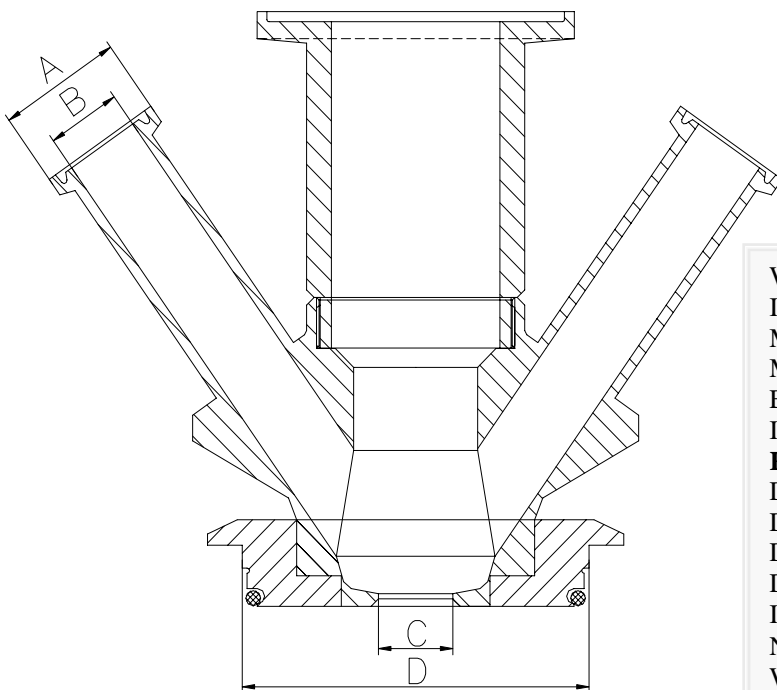
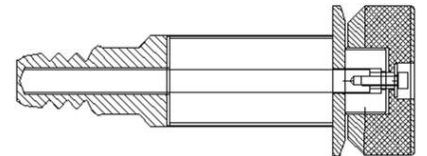


Valve Head W15 Type N
Item no.: 865544



Valve head W 15 Type H
Item no.: 865541



| | | |
|--|----------------------------|-----------|
| Where to use : | With Varivent Ø68mm clamp. | |
| In / Outlet: | Mini-tri clamp | |
| Material: | AISI 316L | (1.4404) |
| Material certificate: | 3.1.B | |
| Electropolish: | Outside | |
| Installation: | 3" clamp | |
| Key measurements | | |
| Drawing part A: | Ø25 mm. | Ø0.98 In. |
| Drawing part B: | Ø15 mm. | Ø0.59 In. |
| Drawing part C: | Ø15 mm. | Ø0.59 In. |
| Drawing part D: | Ø70 mm. | Ø2.76 In. |
| Inner surface: | Ra 0.8 µm | |
| Net weight: | 1.8 kg./pc | 4lb |
| Working temperature depends on choice of valve head. | | |
| Working pressure depends on choice of valve head. | | |