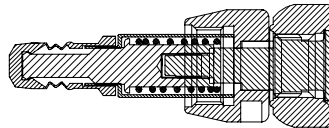
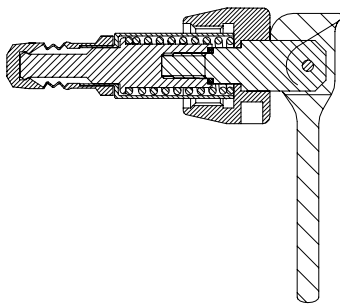


Data sheet: 854155
Item no. 854155
Kit to upgrade valve head
type H, Q and K to PTFE

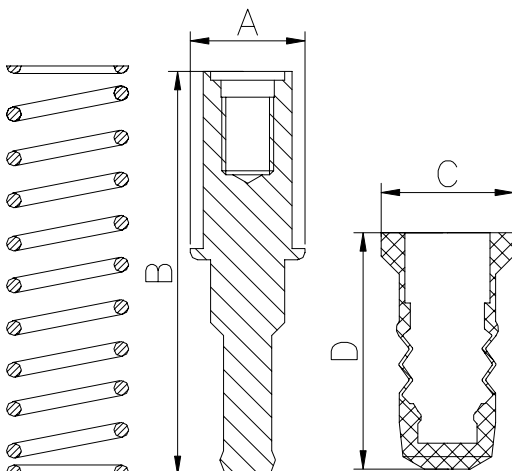
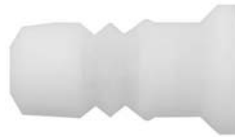
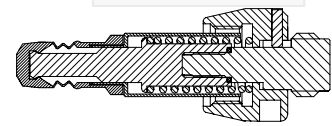
Valve head Type H
Item no.: 600041/
855541



Valve head Type Q
Item no.: 600043/
855543



Valve head Type K
Item no.: 600042/
855542



Where to use : With manual W9 Valve heads.
How to use: See instructions
Instructions: MN-000000 replacing silicone for PTFE Membrane

Material:
Lower Stem: AISI
Spring: AISI 316L(1.4401)
Membrane: FDA approved PTFE

Key measurements

Drawing part A:	15.5 mm.	0.61 In.
Drawing part B:	54.6 mm.	2.15 In.
Drawing part C:	17.9 mm.	0.71 In.
Drawing part D:	32. mm.	1.26 In.
Net weight:	0.05 kg./pc	0.11lb.
Temp. range:	1 ⁰ C - 150 ⁰ C	34°F - 302°F
Product pressure range:	0 - 6 bar(g)	0 - 87 psi(g)