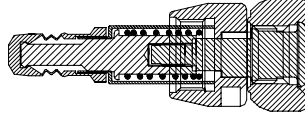
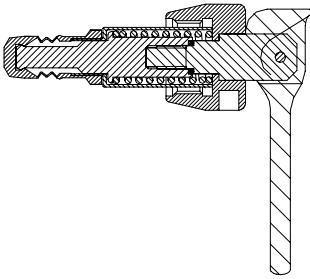


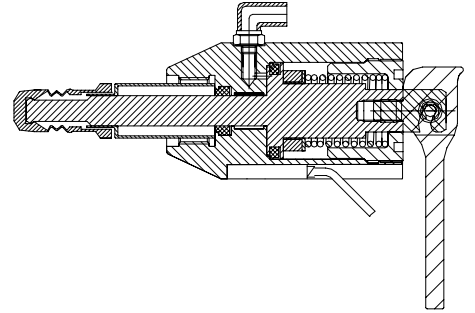
Valve head Type H
 Item no.: 855541/
 600041



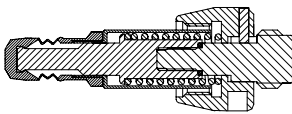
Valve head Type Q
 Item no.: 855543/
 600043



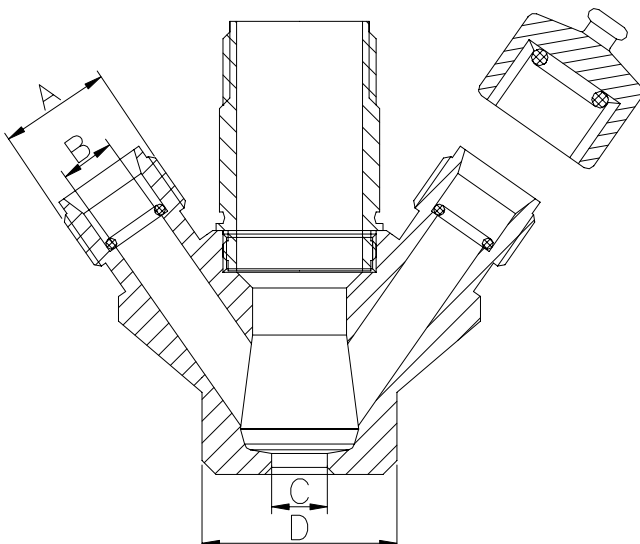
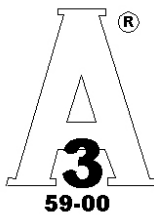
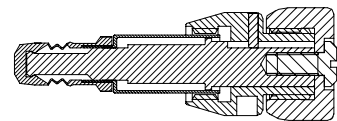
Valve head Type N
 Item no.: 855544/
 600044



Valve head Type K
 Item no.: 855542/
 600042



Valve head Type B
 Item no.: 855547/
 600047



Where to use :	Tanks	
Installation:	Welding	
In / Outlet:	Threaded	
Material:	AISI 316L	(1.4404)
Material certificate:	3.1.B	
Electropolish:	Outside	
Key measurements		
Drawing part A:	M16x1.5	
Drawing part B:	Ø8 mm.	Ø0.31 In.
Drawing part C:	Ø8 mm.	Ø0.31 In.
Drawing part D:	Ø28 mm.	Ø1.1 In.
Inner surface:	Ra 0.5 µm	
Net weight:	0.36 kg./pc	0.79 lb
Working temperature depends on choice of valve head.		
Working pressure depends on choice of valve head.		