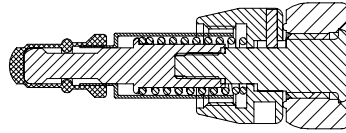
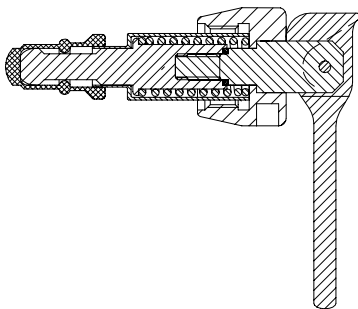


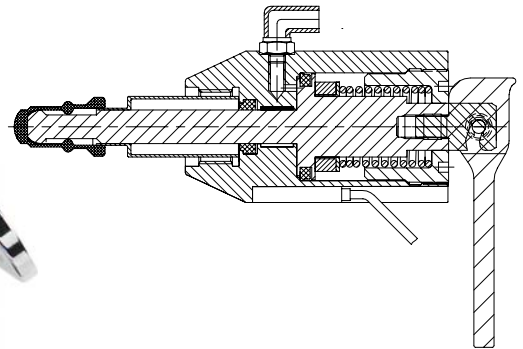
Valve head Type H
 Item no.: 600041/
 855541



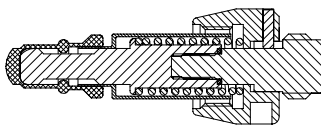
Valve head Type Q
 Item no.: 600043/
 855543



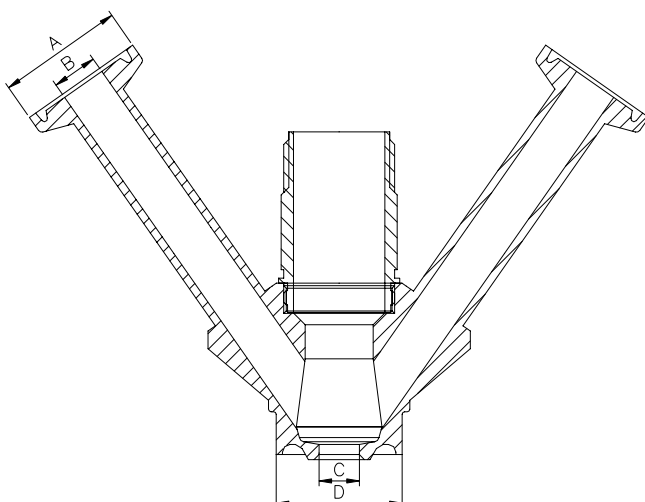
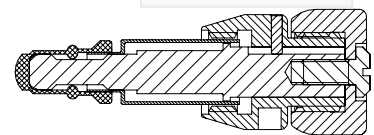
Valve head Type N
 Item no.: 600044 /
 855544



Valve head Type K
 Item no.: 600042/
 855542



Valve head Type B
 Item no.: 600047/
 855547



Where to use : Pipes
 Installation: Welding
 In / Outlet: Mini Tri-Clamp
 Material: AISI 316L (1.4404)
 Material certificate: 3.1.B
 Electropolish: Outside

Key measurements

Drawing part A:	Ø25 mm.	Ø0.98 In.
Drawing part B:	Ø9 mm.	Ø0.35 In.
Drawing part C:	Ø8 mm.	Ø0.31 In.
Drawing part D:	Ø25 mm.	Ø0.98 In.
Inner surface:	Ra 0.5 µm	
Net weight:	0.32 kg./pc	0.71 lb

Working temperature depends on choice of valve head.
 Working pressure depends on choice of valve head.