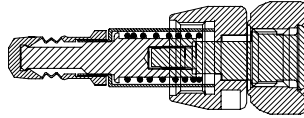
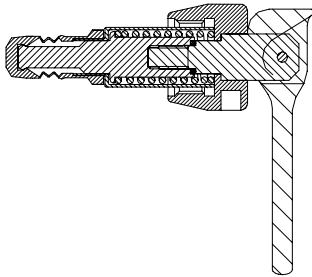


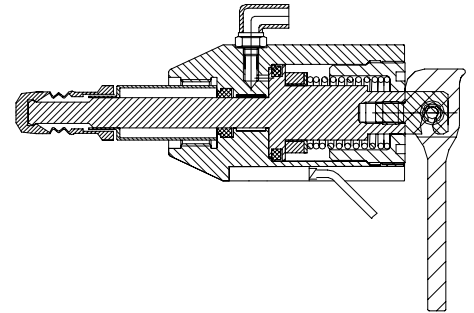
Valve head Type H  
 Item no.: 855541/  
 600041



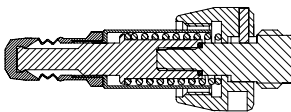
Valve head Type Q  
 Item no.: 855543/  
 600043



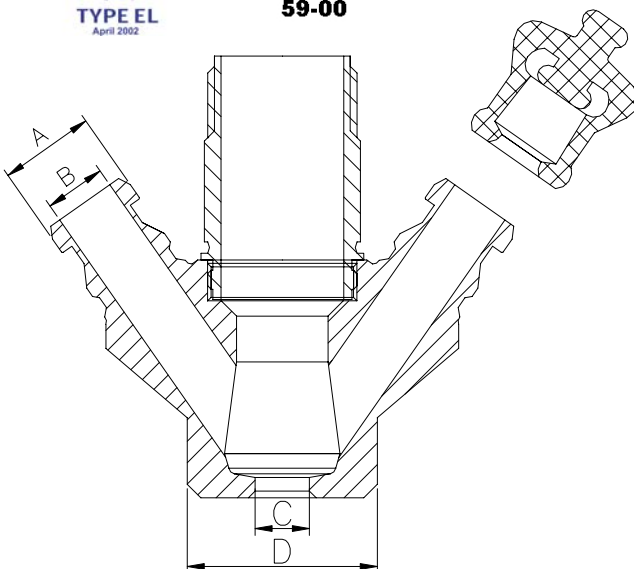
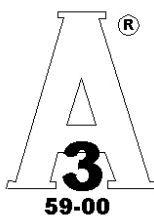
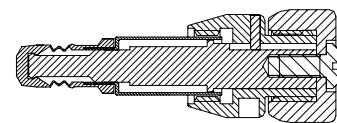
Valve head Type N  
 Item no.: 855544/  
 600044



Valve head Type K  
 Item no.: 855542/  
 600042



Valve head Type B  
 Item no.: 855547/  
 600047



Where to use :	Tanks	
In / Outlet:	Hose piece	
Material:	AISI 316L	(1.4404)
Material certificate:	3.1.B	
Electropolish:	Outside	
Installation:	Welding	
<b>Key measurements</b>		
Drawing part A:	Ø14 mm.	Ø0.55 In.
Drawing part B:	Ø9 mm.	Ø0.35 In.
Drawing part C:	Ø8 mm.	Ø0.31 In.
Drawing part D:	Ø28 mm.	Ø1.10 In.
Inner surface:	Ra 0.5 µm	
Net weight:	0.371 kg./pc	0.84lb
Working temperature depends on choice of valve head.		
Working pressure depends on choice of valve head.		