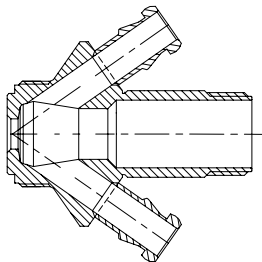
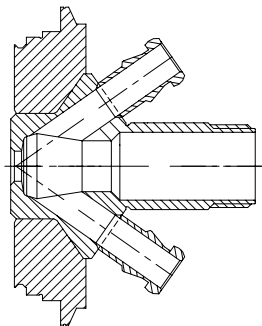


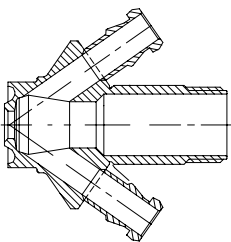
Valve body Type S  
Item no.: 850031



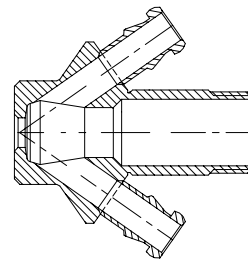
Valve body Type V  
Item no.: 850009



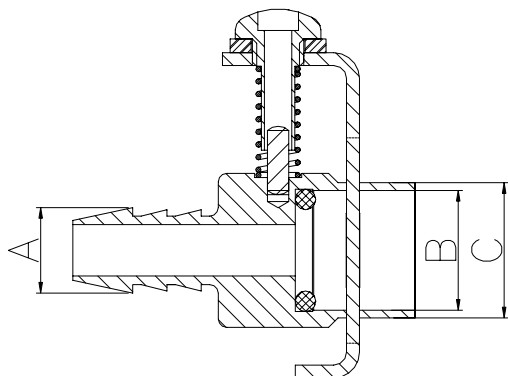
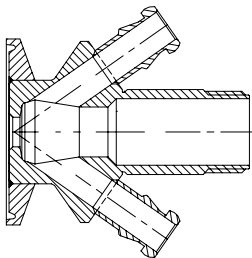
Valve body Type P  
Item no.: 850011



Valve body Type T  
Item no.: 850001



Valve body Type C  
Item no.: 850021



Where to use :	With W9 hose piece	
<b>Material:</b>		
Steel parts:	AISI 316L	(1.4404)
O-ring:	Silicone	
<b>Key measurements</b>		
Drawing part A:	10x1 mm	3/8"
Drawing part B:	Ø14 mm	Ø0.55 In.
Drawing part C:	Ø15.8 mm	Ø0.62 In.
Net weight:	0.04 kg./pc	0.09lb
Working Pressure depends on choice of valve head.		
Working temperature depends on choice of valve head.		