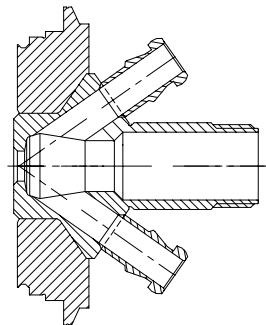
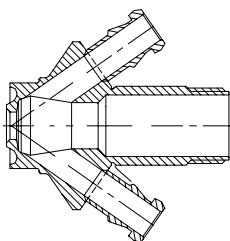


**Data sheet: 800070**  
**Item no. 800070**  
**W9 Quick release tube**  
**fitting for 10x1 st. st. pipe**  
**(incl. ref. 600074)**

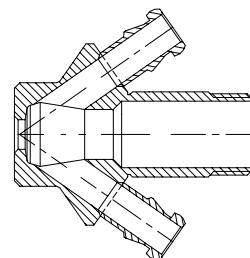
Valve body Type V  
Item no.: 850009



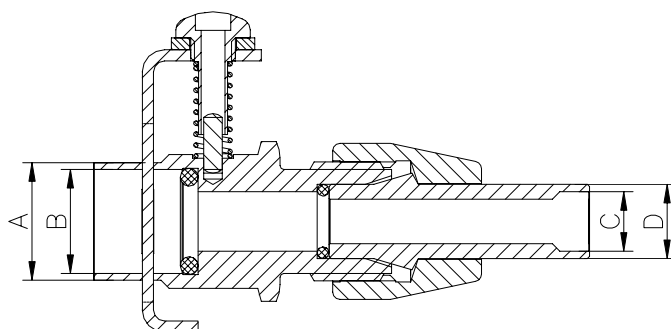
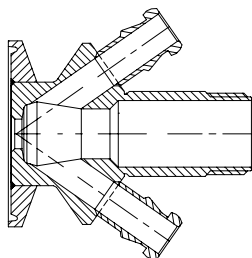
Valve body Type P  
Item no.: 850011



Valve body Type T  
Item no.: 850001



Valve body Type C  
Item no.: 850021



Where to use :

With W9 hose pice and  
Pipe size 10x1

**Material:**

Steel parts:

AISI 316L (1.4404)

O-ring

Silicone

**Key measurements**

Drawing part A: Ø15.8 mm. Ø0.62 In.

Drawing part B: Ø14 mm. Ø0.55 In.

Drawing part C: Ø8mm. Ø0.31 In.

Drawing part D: Ø10 mm. Ø0.39 In.

Net weight: 0.09 kg./pc 0.21b

Working Pressure depends on choice of valve head.

Working temperature depends on choice of valve head.