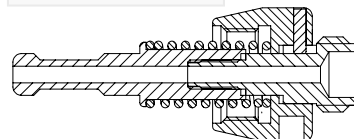
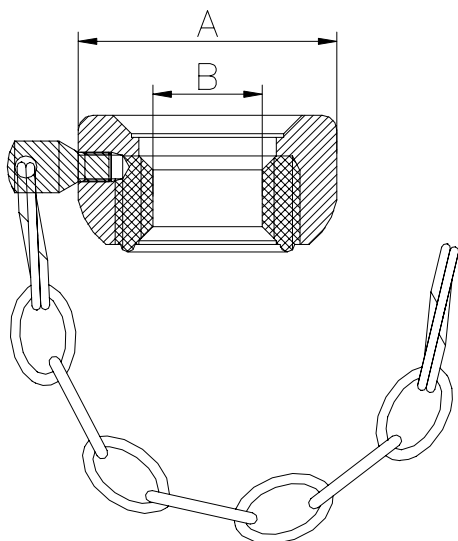
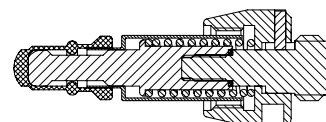


**Data sheet: 600076**  
**Item no. 600076**  
**W9 Key-ring, turn-knob**  
**for valve head type K**

Valve head Type K,  
w/built in Micro port  
Item no.: 600049



Valve head Type K  
Item no.: 600042/855542



Where to use :	W9 valve head type K.	
<b>Material:</b>		
Steel parts:	AISI 316	(1.4404)
Lining:	Brass	
Chain:	AISI 304	(1.4301)
<b>Key measurements</b>		
Drawing part A:	Ø35 mm.	Ø1.38 In.
Drawing part B:	Ø13 mm.	Ø0.51 In.
Net weight:	0.08 kg./pc	0.18lb
Working pressure depends on choice of valve head.		
Working temperature depends on choice of valve head.		