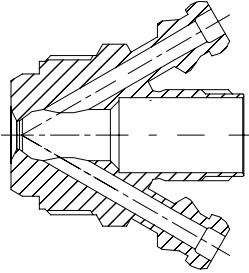
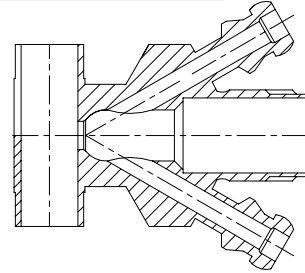


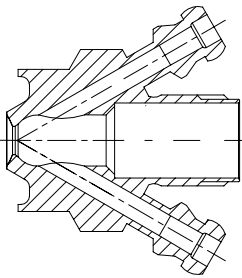
Valve body Type S
Item no.: 400031



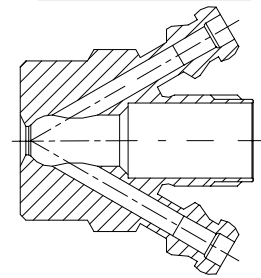
Valve body Type P
Item no.: 400017



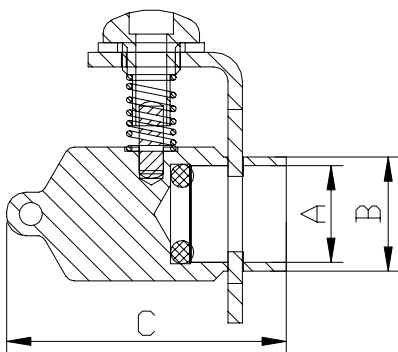
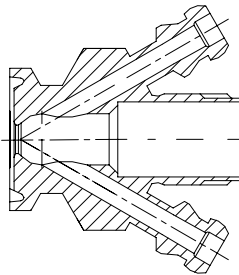
Valve body Type P
Item no.: 400011



Valve body Type T
Item no.: 400001



Valve body Type C
Item no.: 400021



Where to use :

With M4 hose piece.

Material:

Steel parts:

AISI 316L (1.4404)

O ring:

Silicone

Working temperature depends on choice of valve head.

Key measurements

Drawing part A: Ø10 mm. Ø0.39 In.

Drawing part B: Ø11.8 mm. Ø0.46 In.

Drawing part C: Ø29 mm. Ø1.14 In.

Net weight: 0.025 kg./pc 0.055lb

Working Pressure range: 0 - 15 bar(g) 0-217 psi(g)