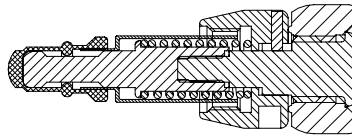
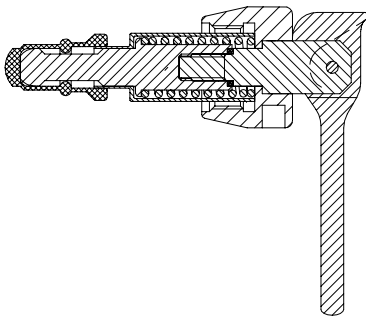


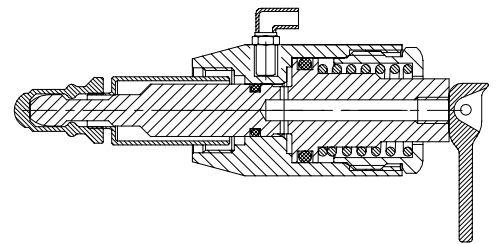
Valve head Type H  
 Item no.: 400041/  
 405541



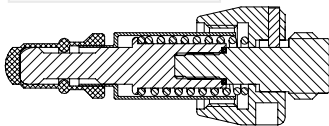
Valve head Type Q  
 Item no.: 400043/  
 405543



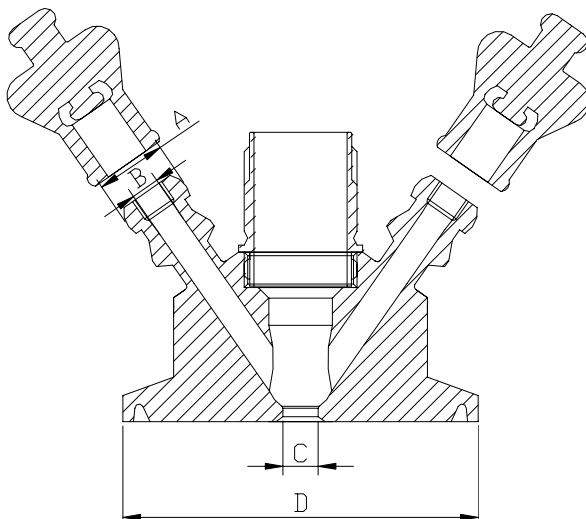
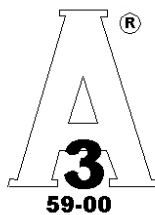
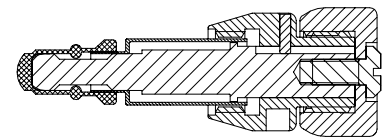
Valve head Type N  
 Item no.: 400044/  
 405544



Valve head Type K  
 Item no.: 400042/  
 405542



Valve head Type B  
 Item no.: 400047/  
 405547



Where to use :  
 In / Outlet:

Material:  
 Material certificate:  
 Electropolish:  
 Installation:

**Key measurements**

Drawing part A:	Ø10 mm.	Ø0.39 In.
Drawing part B:	Ø4 mm.	Ø0.16 In.
Drawing part C:	Ø5 mm.	Ø0.20 In.
Drawing part D:	Ø50.4 mm.	Ø1.98 In.
Inner surface:	Ra 0.5 µm	
Net weight:	0.23 kg./pc	0.51lb
Working temperature depends on choice of valve head.		
Working pressure depends on choice of valve head.		

Pipes and Tanks

Hose piece	Inside- ISO
	conus 6:100
	(1.4404)

AISI 316L  
 3.1.B

Outside  
 Clamp connection