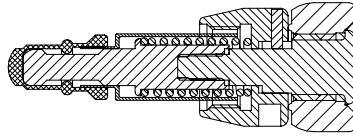
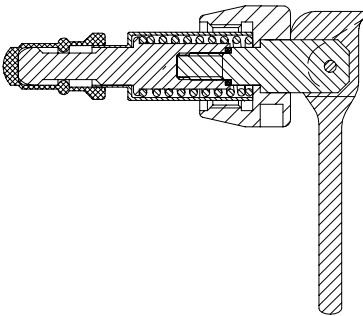


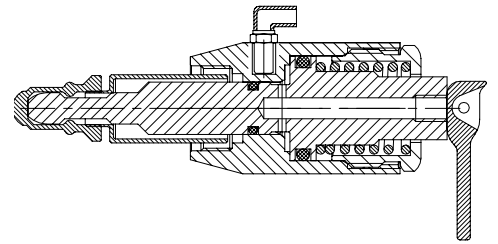
Valve head Type H
Item no.: 400041/
405541



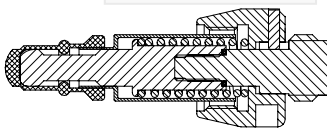
Valve head Type Q
Item no.: 400043/
405543



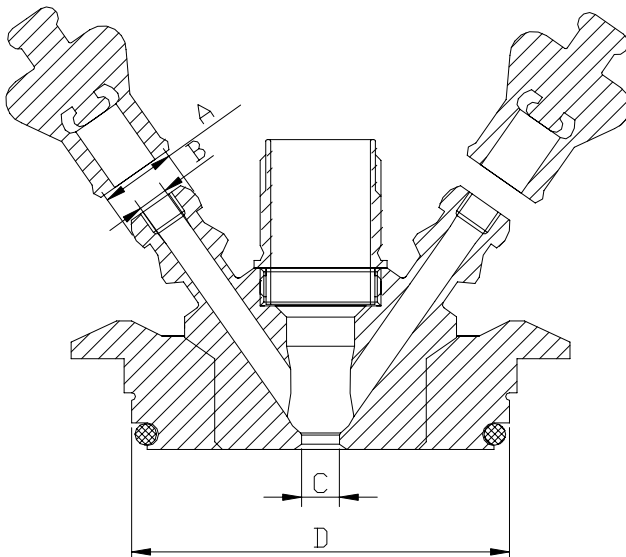
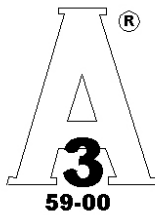
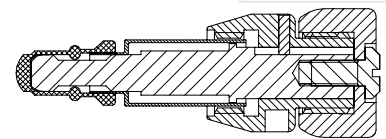
Valve head Type N
Item no.: 400044/
405544



Valve head Type K
Item no.: 400042/
405542



Valve head Type B
Item no.: 400047/
405547



Where to use :	Pipes	
In / Outlet:	Hose piece	Inside- ISO conus 6:100
Material:	AISI 316L	(1.4404)
Material certificate:	3.1.B	
Electropolish:	Outside	
Installation:	Varivent® in-line access unit.	
Key measurements		
Drawing part A:	Ø10 mm.	Ø0.39 In.
Drawing part B:	Ø4 mm.	Ø0.16 In.
Drawing part C:	Ø5 mm.	Ø0.20 In.
Drawing part D:	Ø50 mm.	Ø1.97 In.
Inner surface:	Ra 0.5 µm	
Net weight:	0.43 kg./pc	0.95lb
Working temperature depends on choice of valve head.		
Working pressure depends on choice of valve head.		