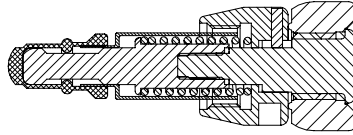
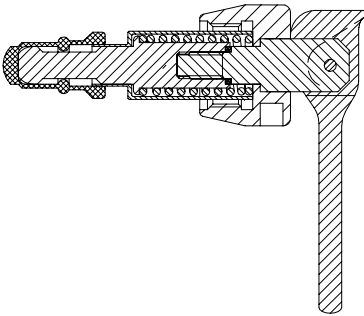


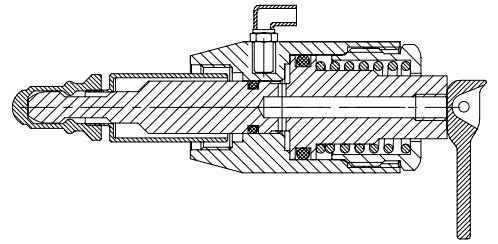
Valve head Type H
 Item no.: 400041/
 405541



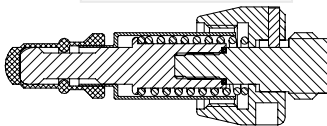
Valve head Type Q
 Item no.: 400043/
 405543



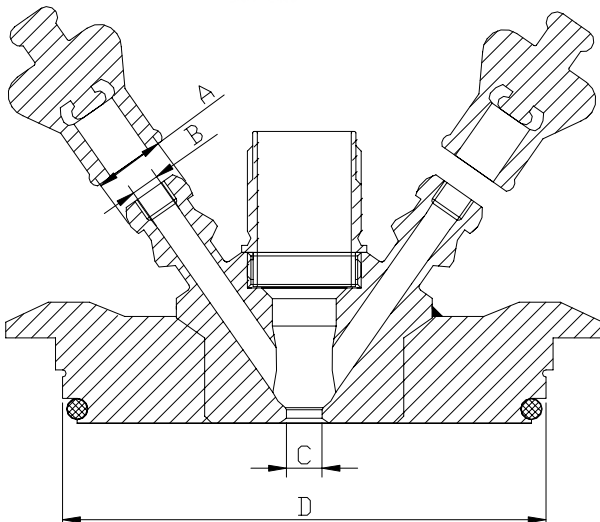
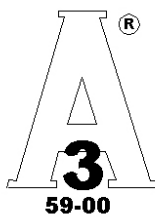
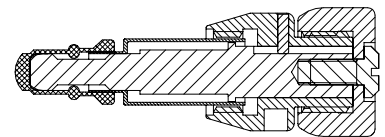
Valve head Type N
 Item no.: 400044/
 405544



Valve head Type K
 Item no.: 400042/
 405542



Valve head Type B
 Item no.: 400047/
 405547



Where to use :
 In / Outlet: Pipes
 Hose piece Inside- ISO conus 6:100
 Material: AISI 316L (1.4404)
 Material certificate: 3.1.B
 Electropolish: Outside
 Installation: Varivent® in-line access unit.

Key measurements

Drawing part A:	Ø10 mm.	Ø0.39 In.
Drawing part B:	Ø4 mm.	Ø0.16 In.
Drawing part C:	Ø5 mm.	Ø0.20 In.
Drawing part D:	Ø68 mm.	Ø2.677 In.
Inner surface:	Ra 0.5 µm	
Net weight:	0.69 kg./pc	1.52lb

Working temperature depends on choice of valve head.
 Working pressure depends on choice of valve head.