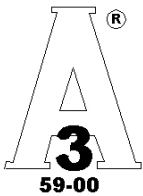


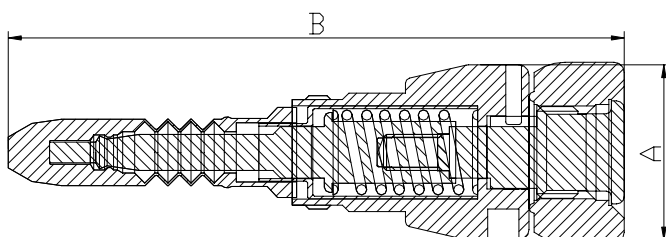
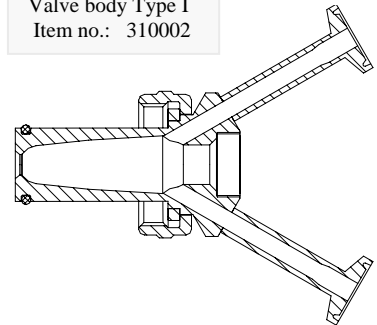
Data sheet: 315541
Item no. 315541
I40 Valve head type H,
turn-knob, adjustable.
PTFE membrane,
(TFM 1600)



Available with:

-  Silicone membrane
Item no.: 310051
See 310041
-  EPDM membrane
Item no.: 310052
See 310041
-  PTFE membrane
Item no.: 310055

Valve body Type I
Item no.: 310002



Where to use :	With Valves bodies I40	
How to use:	Manually operated	
Installation:	Screwed in Valve body	
Material:		
Steel Parts:	AISI 304 / 316 / 316L(1.4404)	
Membrane	FDA approved PTFE	
Key measurements		
Drawing part A:	34 mm.	1.34 In.
Drawing part B:	119.66 mm.	4.71 In.
Net weight:	0.325 kg./pc	0.72lb
Temp. range:	1 ^o C - 150 ^o C	34°F - 302°F
Product pressure range:	0 - 6 bar(g)	0 - 87 psi(g)